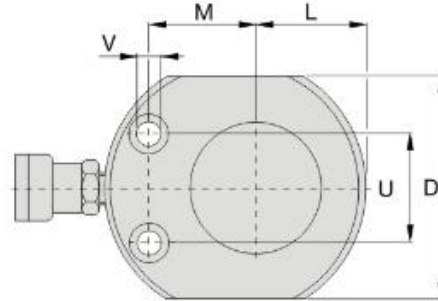
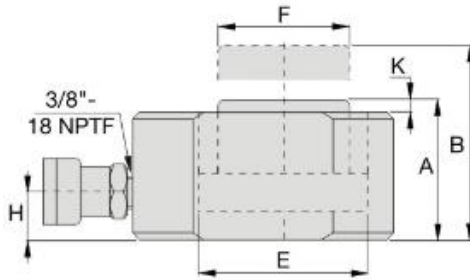



RSM SERIES

Specifications

Inquiry

- Compact, flat design for use where most other cylinders
- RSM-750, 1000 and 1500 have handles for easy carrying
- Mounting holes permit easy fixturing
- Baked enamel finish for increased corrosion resistance
- Hard chrome plated high quality steel plungers
- Grooved plunger ends require no saddle



Cyl. Capacity ton (kn)	Stroke (mm)	Model	Cyl. Effect. Area (cm ²)	Oil Cap. (cm ³)	Collapsed Height A (mm)	Extended Height B (mm)	Outside Diameter D (mm)	Cylinder Bore Dia. E (mm)	Plunger Dia. F (mm)	Base to Advance Port H (mm)	Plunger Protrusion from Base K (mm)	Plunger to Base L (mm)	Plunger to Mtg. Hole M (mm)	Thread O (mm)	Thread Depth P (mm)	Bolt Circle U (mm)	 (kg)
5 (45)	6	RSM-50	6.5	4	32	38	58 x 41	28.7	25.4	16	1	20	22	-	-	-	1.0
10 (101)	12	RSM-100	14.5	18	42	54	82 x 55	42.9	38.1	19	1	27	34	-	-	-	1.4
20 (201)	11	RSM-200	28.7	32	51	62	101 x 76	60.5	50.8	19	1	39	39	-	-	-	3.1
30 (295)	13	RSM-300	42.1	55	58	71	117 x 95	73.2	63.4	19	2	47	44	-	-	-	4.5
45 (435)	16	RSM-500	62.1	99	66	82	140 x 114	88.9	69.8	19	2	57	53	-	-	-	6.8
75 (718)	16	RSM-750	102.6	164	79	95	165 x 139	114.3	82.6	19	2	69	66	-	-	-	11.3
90 (887)	16	RSM-1000	126.7	203	85	101	178 x 153	127.0	92.2	19	2	76	74	-	-	-	14.5
150 (1386)	16	RSM-1500	198.1	317	100	116	215 x 190	158.8	114.3	23	2	95	82	-	-	-	26.3