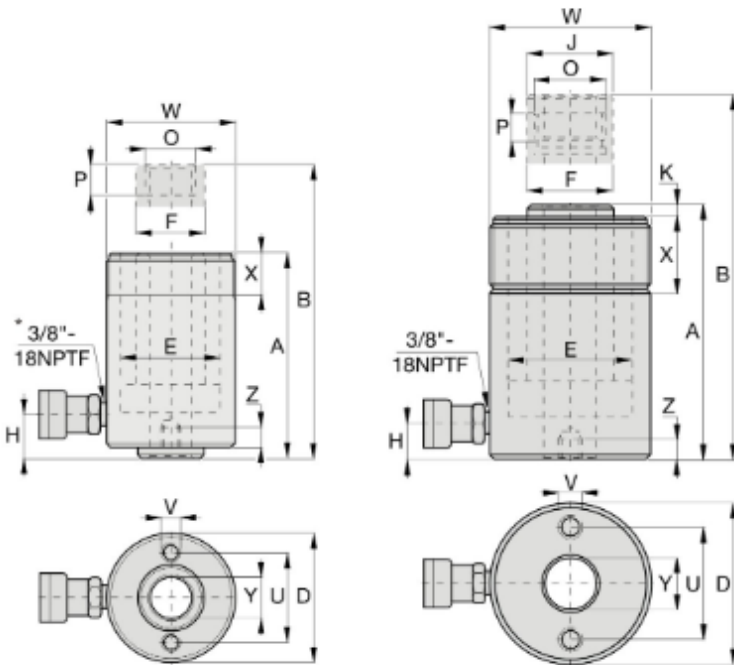


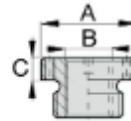


- Hollow plunger design allows for both, pull and push forces
- Single-acting, spring return
- Nickel-plated, floating center tube on models over 20 ton increases product life
- Baked enamel finish for increased corrosion resistance



Base Mounting Hole Dimensions (mm)			
Model Number	Bolt Circle U	Thread V	Thread Depth Z
RCH-120	50.8	5/16"-18UNC	9.0
RCH-121	-	-	-
RCH-1211	-	-	-
RCH-123	50.8	5/16"-18UNC	12.7
RCH-202	82.6	3/8"-16UNC	9.4
RCH-206	82.6	3/8"-16UNC	9.4
RCH-302	92.2	3/8"-16UNC	14.0
RCH-306	92.2	3/8"-16UNC	14.0
RCH-603	130.3	1/2"-13UNC	14.0
RCH-606	130.3	1/2"-13UNC	14.0
RCH-1003	177.8	5/8"-11UNC	19.0

Optional Heat Treated Hollow Saddles					
Saddle Type	Cylinder Model Number	Saddle Model Nr.	Saddle Dimensions (mm)		
			A	B	C
Threaded Hollow	RCH-202, 206	HP-2015	53	1" - 8	9
	RCH-302, 306	HP-3015	63	1 1/4" - 7	9
	RCH-603, 606	HP-5016	91	1 5/8" - 5 1/2	12
	RCH-1003	HP-10016	126	2 1/2" - 8	13



Cylinder Capacity	Stroke	Model Number	Cyl. Effect. Area	Oil Cap.	Coll. Height	Ext. Height	Out. Dia.	Cyl. Bore Dia.	Pigr. Dia.	Cyl. Base to Advance Port	Saddle Dia.	Saddle Protrusion from Pigr.	Plunger Internal Thread	Plunger Thread Length	Collar Thread	Collar Thread Length	Center Hole Dia.	Weight
ton (kn)	(mm)		(cm ²)	(cm ³)	A (mm)	B (mm)	D (mm)	E (mm)	F (mm)	H (mm)	J (mm)	K (mm)	O	P (mm)	W	X (mm)	Y (mm)	(kg)
13(125)	8	RCH-120	17.9	14	55	63	69	54.1	35.1	9	-	-	3/4" -16 UN	16	2 3/8" -16	30	19.6	1.5
	42	RCH-121*	17.9	75	120	162	69	54.1	35.1	25	-	-	-	-	2 3/8" -16	30	19.6	2.8
	42	RCH-1211	17.9	75	120	162	69	54.1	35.1	25	-	-	3/4" -16 UN	16	2 3/8" -16	30	19.6	2.8
	76	RCH-123	17.9	136	184	260	69	54.1	35.1	25	-	-	-	-	2 3/8" -16	30	19.6	4.4
20(215)	49	RCH-202*	30.7	150	162	211	98	73.1	54.1	19	54	9.7	1 9/16" -16 UN	19	3 7/8" -12	38	26.9	7.7
	155	RCH-206	30.7	476	306	461	98	73.1	54.1	25	54	9.7	1 9/16" -16 UN	19	3 7/8" -12	38	26.9	14.1
30(326)	64	RCH-302*	46.6	298	178	242	114	88.9	63.5	21	63	9.0	1 3/16" -16 UN	22	4 1/2" -12	42	33.3	10.9
	155	RCH-306	46.6	722	330	485	114	88.9	63.5	25	63	9.0	1 3/16" -16 UN	22	4 1/2" -12	42	33.3	21.8
60(576)	76	RCH-603*	82.3	626	247	323	159	123.9	91.9	31	91	12.0	2 3/4" -16 UN	19	6 1/2" -12	48	53.8	28.1
	153	RCH-606	82.3	1259	323	476	159	123.9	91.9	31	91	12.0	2 3/4" -16 UN	19	6 1/2" -12	48	53.8	35.4
95(931)	76	RCH-1003*	133.0	1011	254	330	212	165.1	127.0	38	126	12.0	4" -16 UN	25	8 3/8" -12	60	79.0	63.0