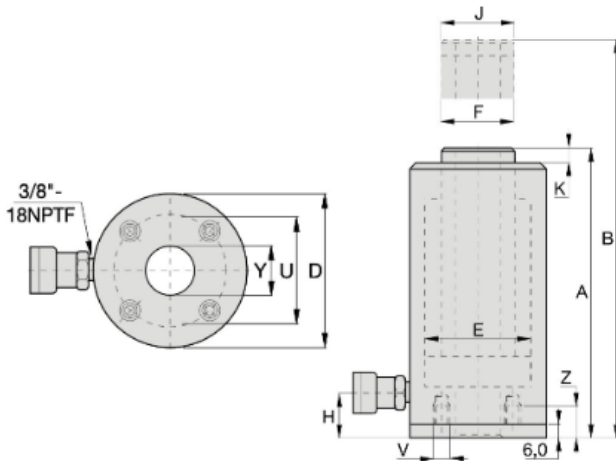


# RACH SERIES

Specifications

Inquiry

- Hollow plunger design allows for both pull and push forces
- Composite bearings increase cylinder life and sideload resistance
- Hard-Coat finish on all surfaces resists damage and extends cylinder life
- Handles standard on all models
- Steel base plate and saddle for protection against load-induced damage



Steel Base Plate Mounting Holes			
Cylinder Model / Capacity ton	Bolt Circle U (mm)	Thread V (mm)	Thread Depth Z (mm)
RACH-20	80	M6	12
RACH-30	110	M6	12
RACH-60	160	M6	12
RACH-100	230	M6	12
RACH-150	245	M6	12

Cyl Cap ton (kn)	Stroke (mm)	Model	Cylinder Effective Area (cm <sup>2</sup> )	Oil Capacity (cm <sup>3</sup> )	Height A (mm)	Extended Height B (mm)	Outside Diameter D (mm)	Cylinder Bore Diameter E (mm)	Plunger Diameter F (mm)	Bottom to Advance Port H (mm)	Saddle Diameter J (mm)	Saddle Protrusion from Plunger K (mm)	Center Hole Dia Y (mm)	(kg)
20 (229)	50	RACH-202	32.7	164	188	238	100	75	55	29	55	10	27	5.2
	100	RACH-204	32.7	327	251	351	100	75	55	29	55	10	27	6.1
	150	RACH-206	32.7	491	315	465	100	75	55	29	55	10	27	7.1
	200	RACH-208	32.7	654	378	578	100	75	55	29	55	10	27	8.0
	250	RACH-2010	32.7	818	442	692	100	75	55	29	55	10	27	9.0
30 (358)	50	RACH-302	51.1	256	208	258	130	95	70	29	70	10	34	8.0
	100	RACH-304	51.1	511	267	367	130	95	70	29	70	10	34	9.5
	150	RACH-306	51.1	766	333	483	130	95	70	29	70	10	34	11.2
	200	RACH-308	51.1	1022	395	595	130	95	70	29	70	10	34	12.9
	250	RACH-3010	51.1	1277	458	708	130	95	70	29	70	10	34	14.5
60 (596)	50	RACH-602	84.7	423	251	301	180	130	100	61	100	12	54	16.2
	100	RACH-604	84.7	847	315	415	180	130	100	61	100	12	54	19.5
	150	RACH-606	84.7	1270	380	530	180	130	100	61	100	12	54	25.6
	200	RACH-608	84.7	1694	445	645	180	130	100	61	100	12	54	26.0
	250	RACH-6010	84.7	2117	510	760	180	130	100	61	100	12	54	29.6
100 (1157)	50	RACH-1002	164.6	823	258	308	250	185	145	61	145	14	79	33.8
	100	RACH-1004	164.6	1646	325	425	250	185	145	61	145	14	79	39.8
	150	RACH-1006	164.6	2487	391	541	250	185	145	61	145	14	79	46.2
	200	RACH-1008	164.6	3291	459	659	250	185	145	61	145	14	79	52.2
	250	RACH-10010	164.6	4114	527	777	250	185	145	61	145	14	79	58.8
150 (1588)	50	RACH-1502	225.8	1129	280	330	275	205	150	61	145	14	79	48.9
	100	RACH-1504	225.8	2258	360	460	275	205	150	61	145	14	79	55.7
	150	RACH-1506	225.8	3387	430	580	275	205	150	61	145	14	79	63.0
	200	RACH-1508	225.8	4517	500	700	275	205	150	61	145	14	79	70.1
	250	RACH-15010	225.8	5646	570	820	275	205	150	61	145	14	79	77.2