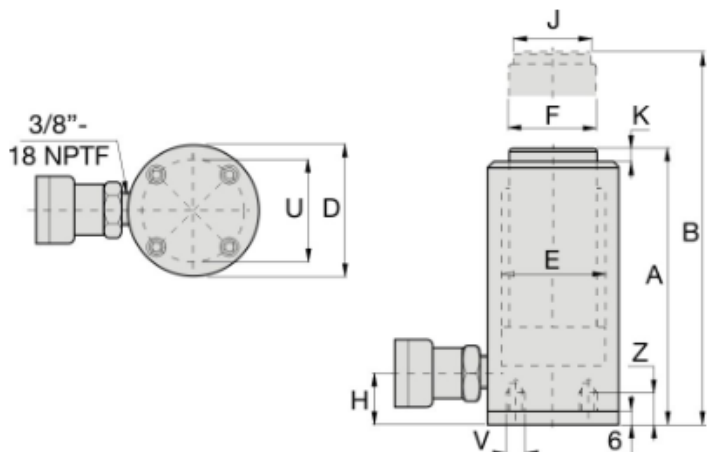



RAC SERIES

- Guide ring eliminates over travel and provides support to reduce wear from off center loads
- High strength alloy aluminum body is coated to protect against corrosion
- Straight pull, return spring assembly provides fast retraction
- Composite bearings prevent metal-to-metal contact, increasing cylinder life and resistance to side-loads of up to 10%



| Cylinder Capacity ton (kn) | Stroke (mm) | Model | Cylinder Effective Area (cm ²) | Oil Capacity (cm ³) | Height A (mm) | Extended Height B (mm) | Outside Diameter D (mm) | Cylinder Bore Diameter E (mm) | Plunger Diameter F (mm) | Bottom to Advance Port H (mm) | Saddle Diameter J (mm) | Saddle Protrusion from Plunger K (mm) |  (kg) |
|-------------------------------|----------------|-----------|---|------------------------------------|---------------------|------------------------------|-------------------------------|-------------------------------------|-------------------------------|-------------------------------------|------------------------------|---|---|
| 20 (218) | 50 | RAC-202 | 31.2 | 156 | 174 | 224 | 85 | 63 | 50 | 27 | 40 | 3 | 3.6 |
| | 100 | RAC-204 | 31.2 | 312 | 224 | 324 | 85 | 63 | 50 | 27 | 40 | 3 | 4.1 |
| | 150 | RAC-206 | 31.2 | 468 | 274 | 424 | 85 | 63 | 50 | 27 | 40 | 3 | 4.6 |
| | 200 | RAC-208 | 31.2 | 624 | 324 | 524 | 85 | 63 | 50 | 27 | 40 | 3 | 5.1 |
| | 250 | RAC-2010 | 31.2 | 780 | 374 | 624 | 85 | 63 | 50 | 27 | 40 | 3 | 5.6 |
| 30 (309) | 50 | RAC-302 | 44.2 | 221 | 181 | 231 | 100 | 75 | 60 | 32 | 40 | 3 | 4.5 |
| | 100 | RAC-304 | 44.2 | 442 | 231 | 331 | 100 | 75 | 60 | 32 | 40 | 3 | 5.2 |
| | 150 | RAC-306 | 44.2 | 663 | 281 | 431 | 100 | 75 | 60 | 32 | 40 | 3 | 5.9 |
| | 200 | RAC-308 | 44.2 | 884 | 331 | 531 | 100 | 75 | 60 | 32 | 40 | 3 | 6.6 |
| | 250 | RAC-3010 | 44.2 | 1105 | 381 | 631 | 100 | 75 | 60 | 32 | 40 | 3 | 7.3 |
| 50 (496) | 50 | RAC-502 | 70.9 | 354 | 186 | 236 | 130 | 95 | 80 | 30 | 50 | 3 | 8.5 |
| | 100 | RAC-504 | 70.9 | 709 | 236 | 336 | 130 | 95 | 80 | 30 | 50 | 3 | 9.8 |
| | 150 | RAC-506 | 70.9 | 1063 | 286 | 436 | 130 | 95 | 80 | 30 | 50 | 3 | 11.1 |
| | 200 | RAC-508 | 70.9 | 1417 | 336 | 536 | 130 | 95 | 80 | 30 | 50 | 3 | 12.4 |
| | 250 | RAC-5010 | 70.9 | 1771 | 386 | 636 | 130 | 95 | 80 | 30 | 50 | 3 | 13.7 |
| 100 (1002) | 50 | RAC-1002 | 143.1 | 715 | 221 | 271 | 180 | 135 | 110 | 46 | 94 | 3 | 17.3 |
| | 100 | RAC-1004 | 143.1 | 1431 | 271 | 371 | 180 | 135 | 110 | 46 | 94 | 3 | 19.6 |
| | 150 | RAC-1006 | 143.1 | 2147 | 321 | 471 | 180 | 135 | 110 | 46 | 94 | 3 | 21.9 |
| | 200 | RAC-1008 | 143.1 | 2863 | 371 | 571 | 180 | 135 | 110 | 46 | 94 | 3 | 24.2 |
| | 250 | RAC-10010 | 143.1 | 3578 | 421 | 671 | 180 | 135 | 110 | 46 | 94 | 3 | 26.5 |
| 150 (1589) | 50 | RAC-1502 | 227.0 | 1135 | 243 | 293 | 230 | 170 | 140 | 51 | 113 | 3 | 25.3 |
| | 100 | RAC-1504 | 227.0 | 2270 | 293 | 393 | 230 | 170 | 140 | 51 | 113 | 3 | 29.3 |
| | 150 | RAC-1506 | 227.0 | 3405 | 343 | 493 | 230 | 170 | 140 | 51 | 113 | 3 | 33.3 |
| | 200 | RAC-1508 | 227.0 | 4540 | 393 | 593 | 230 | 170 | 140 | 51 | 113 | 3 | 37.3 |
| | 250 | RAC-15010 | 227.0 | 5675 | 443 | 693 | 230 | 170 | 140 | 51 | 113 | 3 | 41.3 |