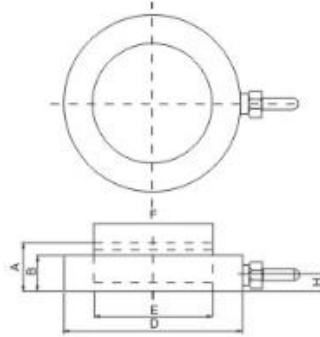


# LHC SERIES

Specifications

Inquiry

- Working pressure: 1500 Bar
- Single acting, load return. Workable for limited work space



Model No	Cap (ton)	Stroke (mm)	Volume (mm <sup>3</sup> )	CollapH (mm)	Ext H (mm)	OutsD (mm)	W (kg)	Plunger D (mm)	Oil Input Position (mm)
LHC-00510	5	10	3.46	30	40	60	3.5	21	12
LHC-01010	10	10	7.04	30	40	70	4	30	12
LHC-02510	25	10	17.35	30	40	90	4.6	47	11.5
LHC-05510	50	10	36.32	30	40	118	4.8	68	11.5
LHC-10010	100	10	69.4	30	40	152	5.3	94	11.5
LHC-12010	120	10	78.54	33	40	160	6.1	100	11.5
LHC-15010	150	10	105.68	31	41	180	8.5	116	12.5
LHC-20010	200	10	136.58	32	42	204	9.5	132	13.5